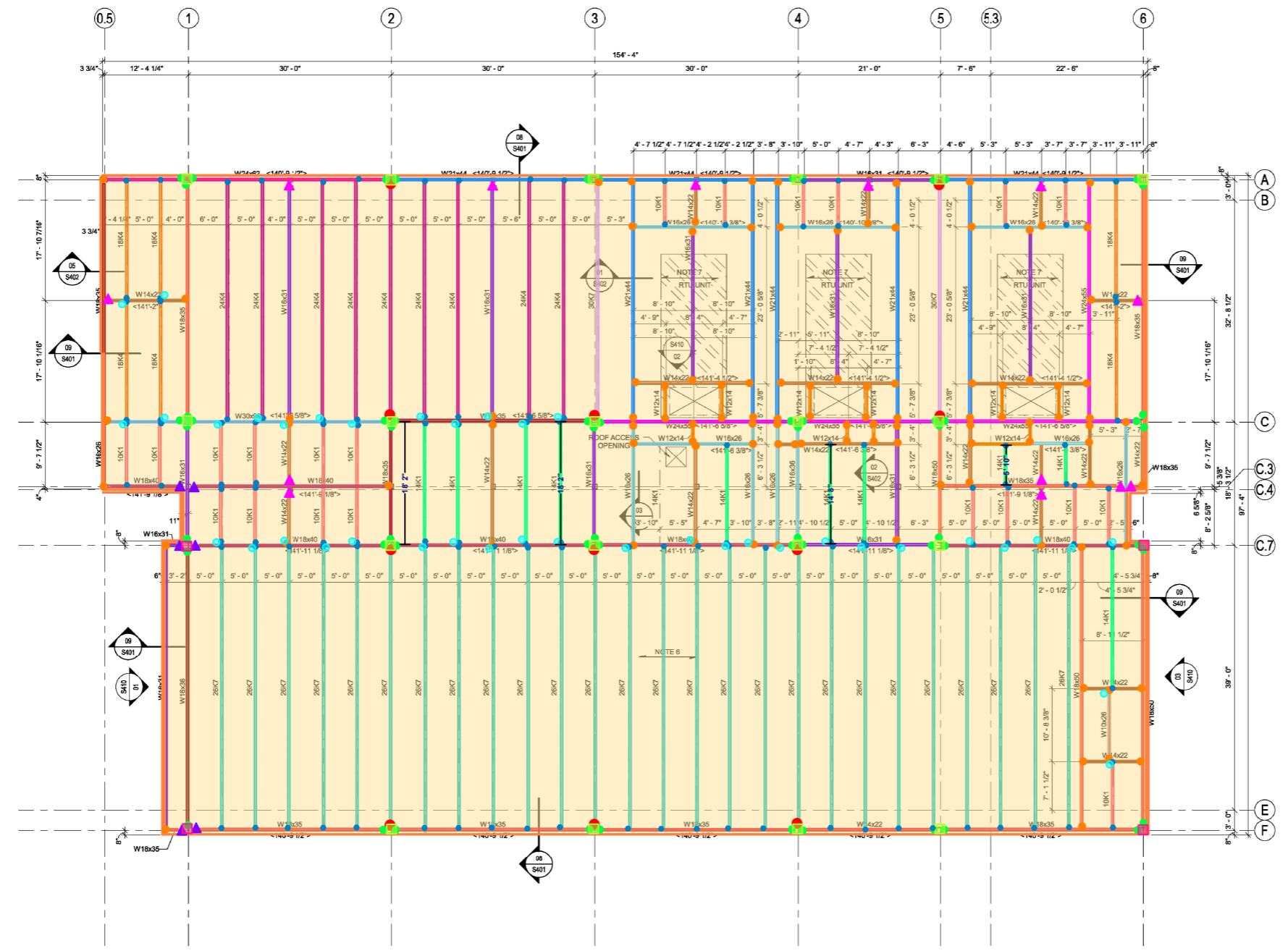


- Angle - L 3x3x1/4 edge angle - Q1 698 LF ; Q2 23 EA
- Angle - L 5x5x1/4 edge angle - Q1 25 LF ; Q2 1 EA
- Beam - W16x26 - Q1 165 LF
- Beam - W18x35 - Q1 89 LF
- Beam - W16x31 - Q1 269 LF
- Beam - W12x14 - Q1 52 LF
- Beam - W16x36 - Q1 40 LF
- Beam - W21x44 - Q1 260 LF
- Beam - W30x99 - Q1 41 LF ; Q2 1 EA
- Beam - W18x40 - Q1 152 LF
- Beam - W24x62 - Q1 41 LF
- Beam - W24x55 - Q1 112 LF
- Beam - W16x35 - Q1 231 LF
- Beam - W14x22 - Q1 204 LF
- Beam - W10x26 - Q1 10 LF
- Beam - W18x50 - Q1 99 LF
- Column - W10x49 @ 13'6" - Q1 257 LF ; Q2 19 EA
- Column - W10x54 @ 13'6" - Q1 54 LF ; Q2 4 EA
- Roofing and deck - 2" 18 GA Galv Deck - Q1 14,530 SF
- Roof Joist - 26K7 - Q1 1,077 LF
- Roof Joist - 14K1 - Q1 147 LF
- Roof Joist - 10K1 - Q1 171 LF
- Roof Joist - 24K4 - Q1 316 LF
- Roof Joist - 30K7 - Q1 69 LF
- Roof Joist - 18K4 - Q1 105 LF
- Steel Connections - 06/S012 Beam to Beam Moment Connection - Q1 13 EA
- Steel Connections - 04/S013 Column to Beam Moment Connection - Q1 6 EA
- Steel Connections - 07/S012 Beam to Beam Shear Connection - Q1 103 EA
- Steel Connections - 03/S013 Column to Beam Shear Connection - Q1 59 EA
- Steel Connections - 03/S014 Joist to Column Connection - Q1 11 EA
- Steel Connections - 07/S014 Joist to Beam Connection - Q1 127 EA ; Q2 127 EA
- Steel Connections - 1/S014, L1 1/2x1-1/2x1/8 - Q1 39 EA ; Q2 39 EA

ROOF PLAN NOTES:

1. TOP OF STEEL = SLOPED, VARIES. REF PLAN
2. REFER TO S001-S002 FOR GENERAL NOTES, SYMBOLS AND ANNOTATIONS.
3. REFER TO S010 - S015 FOR TYPICAL DETAILS.
4. REFER TO S400 SERIES FOR FRAMING SECTIONS AND DETAILS.
5. REFER TO ARCHITECTURAL, MECHANICAL, ELECTRICAL, AND PLUMBING DRAWINGS TO COORDINATE NON-STRUCTURAL ELEMENTS.
6. PROVIDE 1.5" 20 GAUGE GALV TYPE B METAL ROOF DECK.
7. PROVIDE 3" NWC ON 2" 18 GA COMPOSITE METAL DECK (5" TOTAL THICK) REINF. w/ 6x6 - W2.9xW2.9 WWF.
8. CONFIRM ROOF OPENING SIZES w/ EQUIPMENT MRF.



01 ROOF FRAMING PLAN
SCALE: 1/8" = 1'-0"

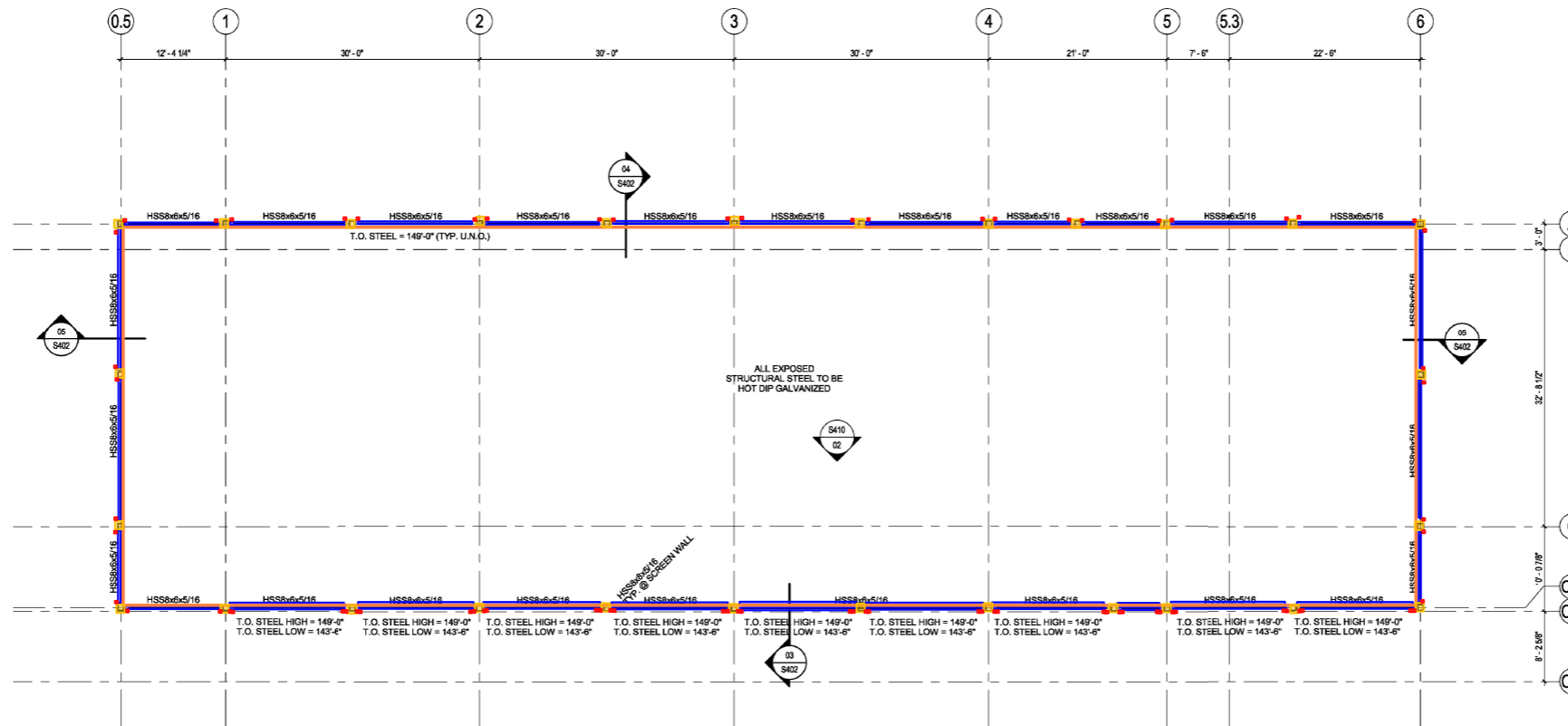


SAMPLE PROJECT

S104

ROOF FRAMING PLAN

- Angle - L 3x3x1/4 edge anlg - Q1 393 LF ; Q2 4 EA
- Beam - HSS8x6x5/16 - Q1 489 LF ; Q2 38 EA
- Clips - CFS Clips - Q1 76 EA
- Column - HSS8x6x5/16 - Q1 224 LF ; Q2 28 EA

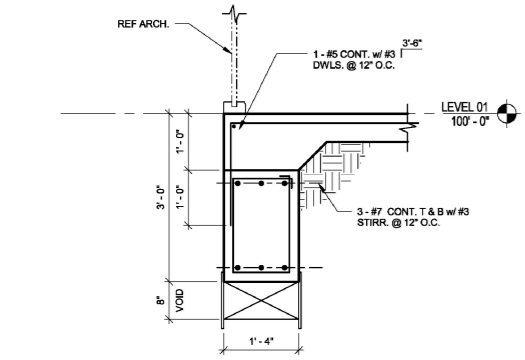


1 SCREEN WALL FRAMING PLAN
S105 1/8" = 1'-0"

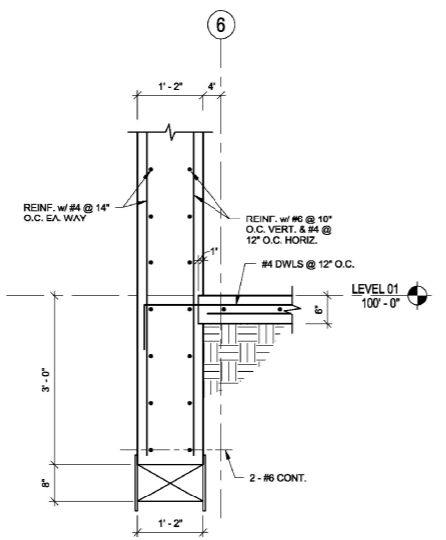


SAMPLE PROJECT

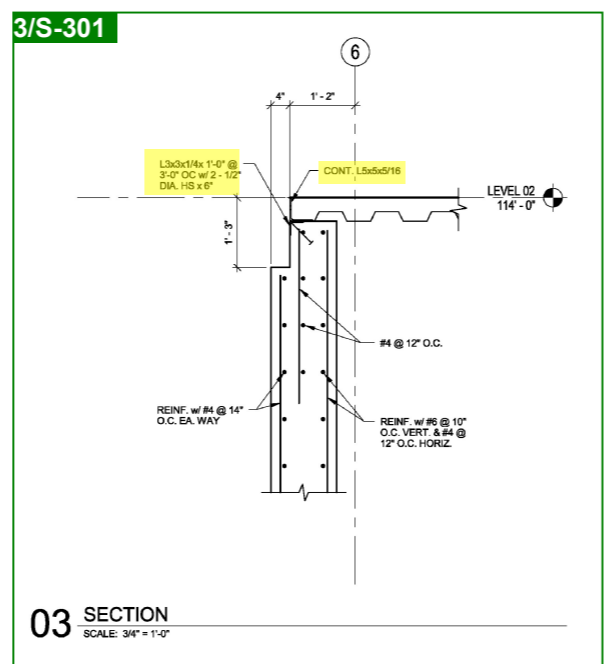
S105



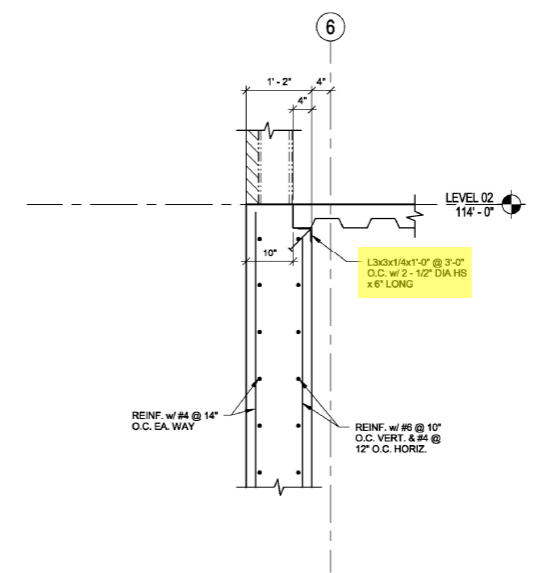
01 SECTION
SCALE: 3/4" = 1'-0"



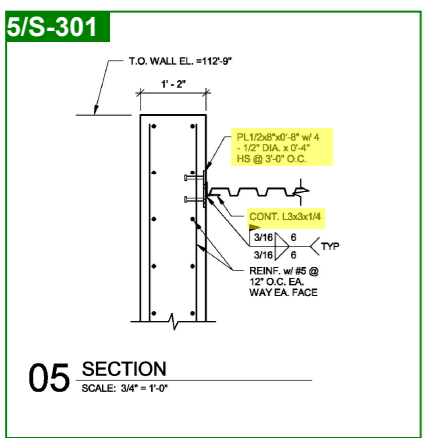
02 SECTION
SCALE: 3/4" = 1'-0"



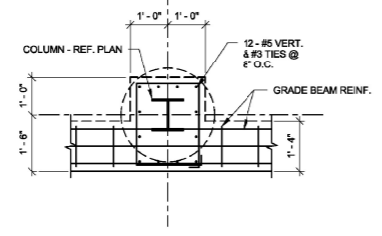
03 SECTION
SCALE: 3/4" = 1'-0"



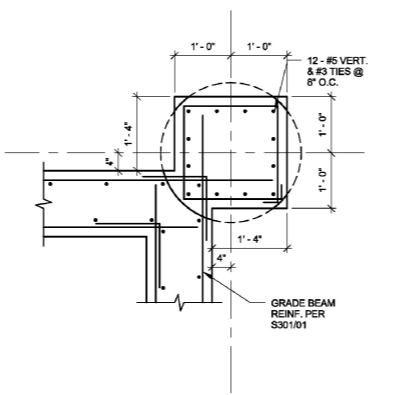
04 SECTION
SCALE: 3/4" = 1'-0"



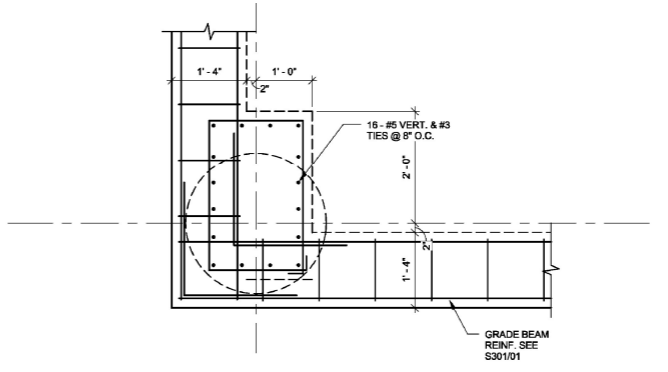
05 SECTION
SCALE: 3/4" = 1'-0"



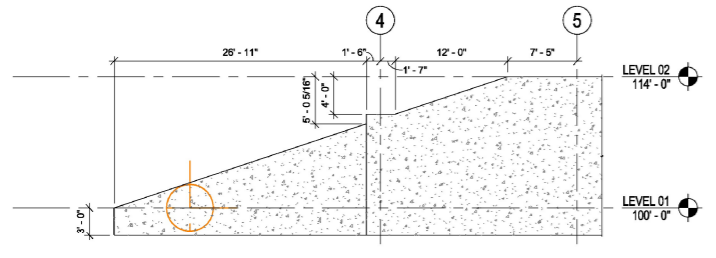
06 PILASTER DETAIL
SCALE: 1/2" = 1'-0"



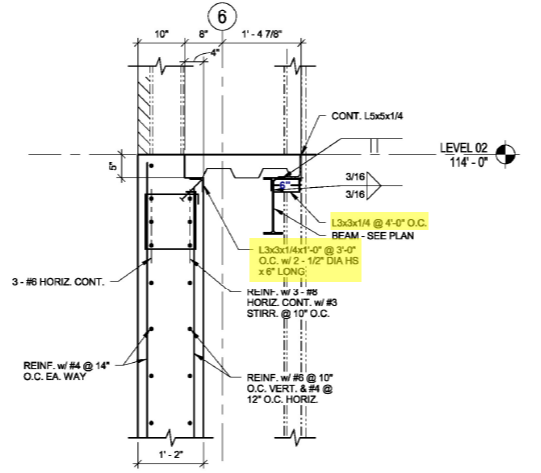
07 TYPICAL INTERIOR CORNER PILASTER DETAIL
SCALE: 3/4" = 1'-0"



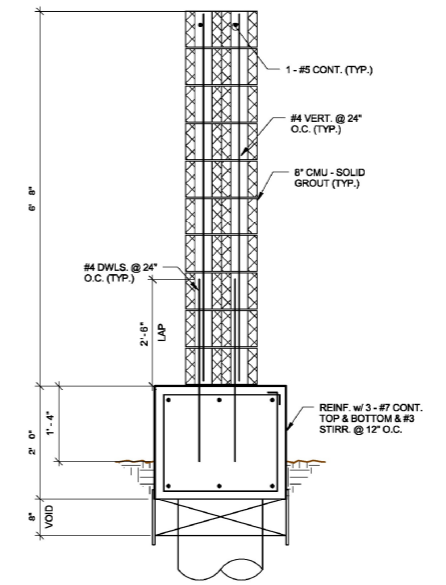
08 TYPICAL EXTERIOR CORNER PILASTER DETAIL
SCALE: 3/4" = 1'-0"



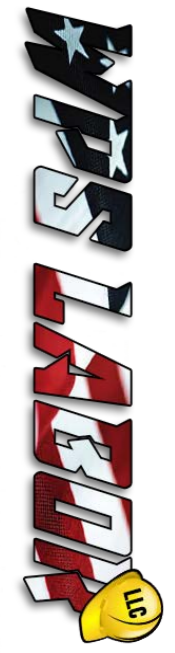
9 SLOPED CONCRETE WALL ELEVATION
SCALE: 1/8" = 1'-0"



10 SECTION
SCALE: 3/4" = 1'-0"

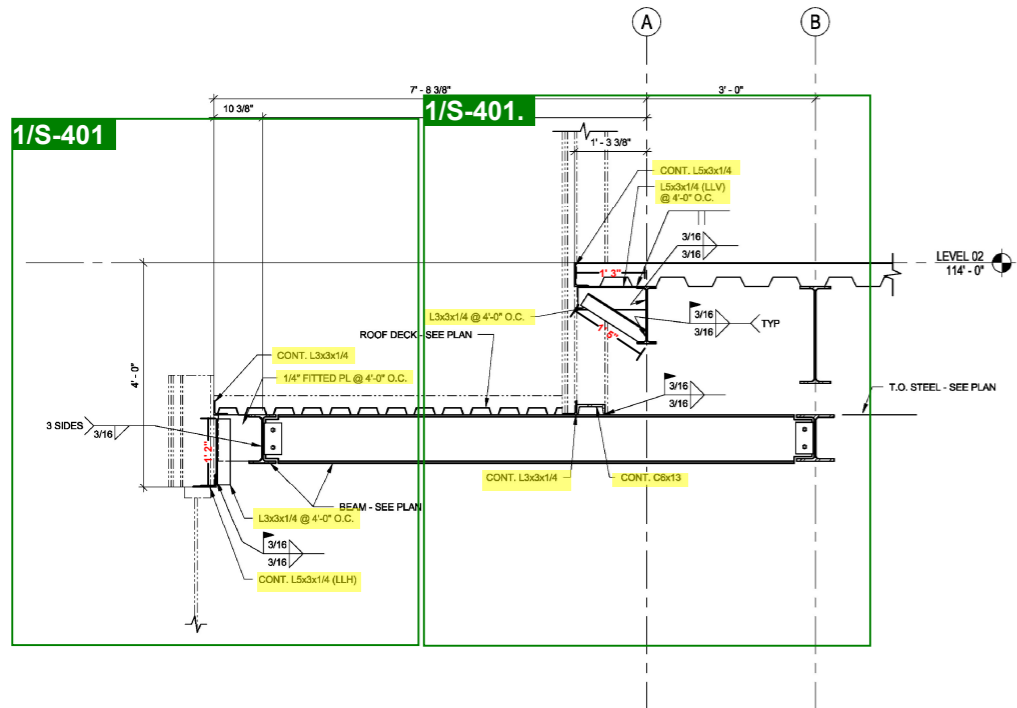


11 TYPICAL SIGNAGE DETAIL
SCALE: 3/4" = 1'-0"

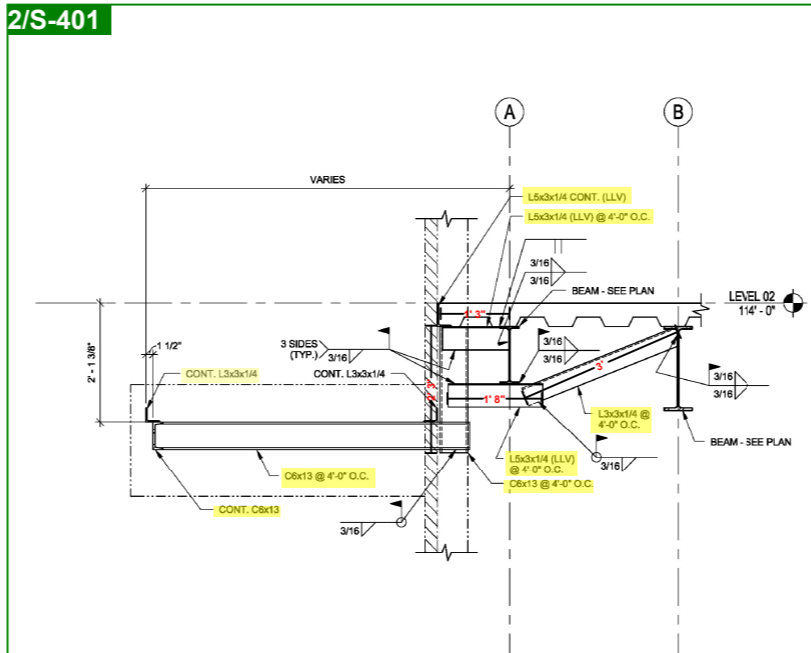


SAMPLE PROJECT

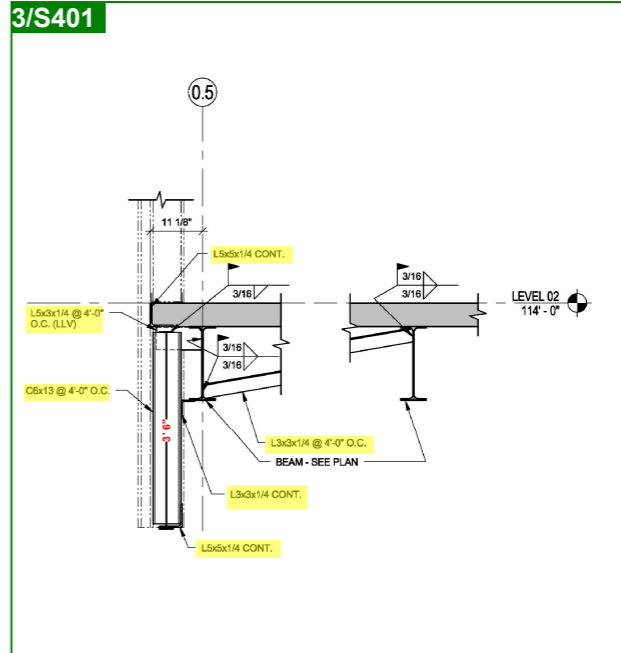
S301



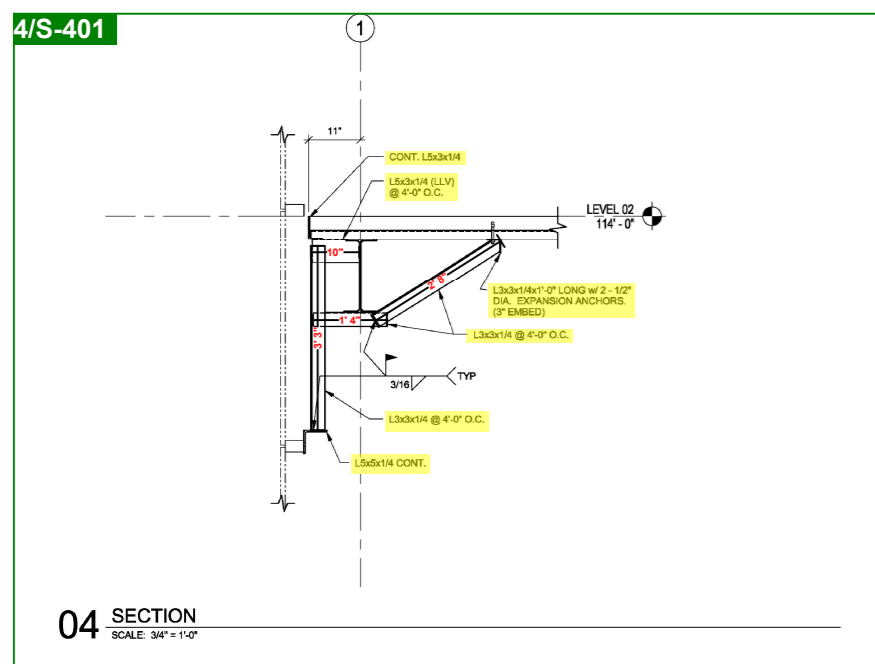
01 SECTION
SCALE: 3/4" = 1'-0"



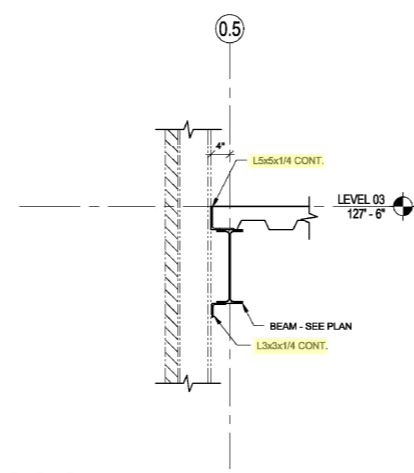
02 SECTION
SCALE: 3/4" = 1'-0"



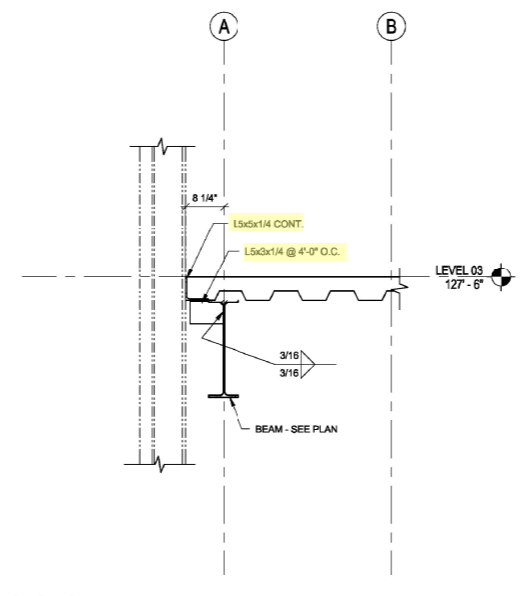
03 Section 5
SCALE: 3/4" = 1'-0"



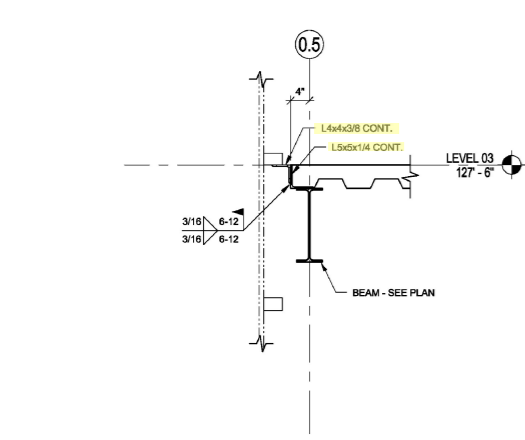
04 SECTION
SCALE: 3/4" = 1'-0"



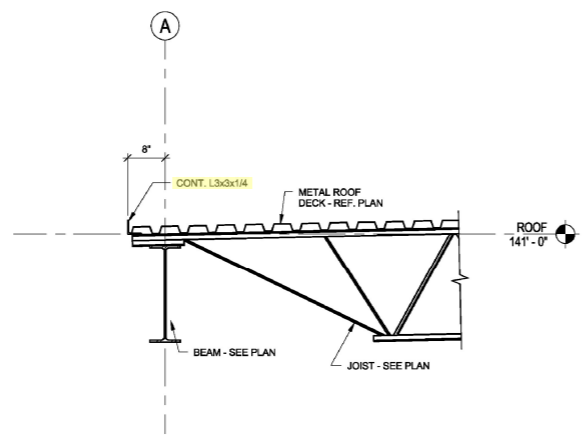
05 SECTION
SCALE: 3/4" = 1'-0"



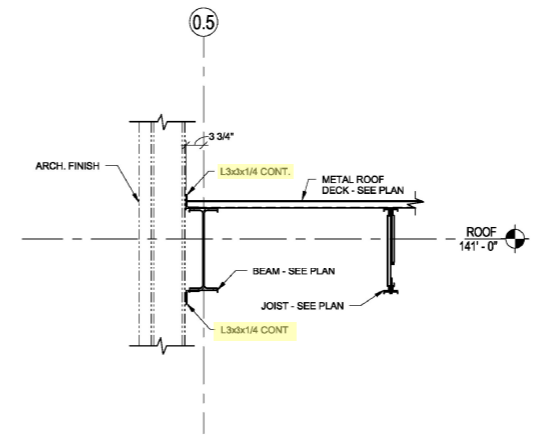
06 SECTION
SCALE: 3/4" = 1'-0"



07 SECTION
SCALE: 3/4" = 1'-0"



08 SECTION
SCALE: 3/4" = 1'-0"

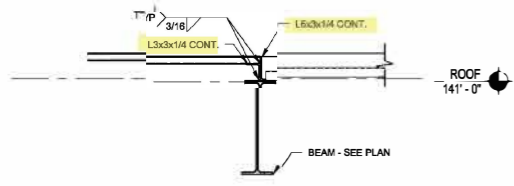


09 SECTION
SCALE: 3/4" = 1'-0"

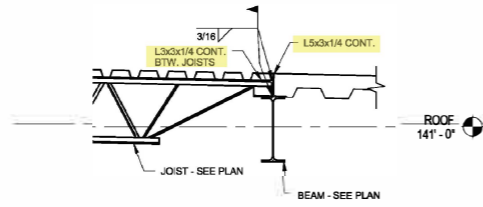


SAMPLE PROJECT

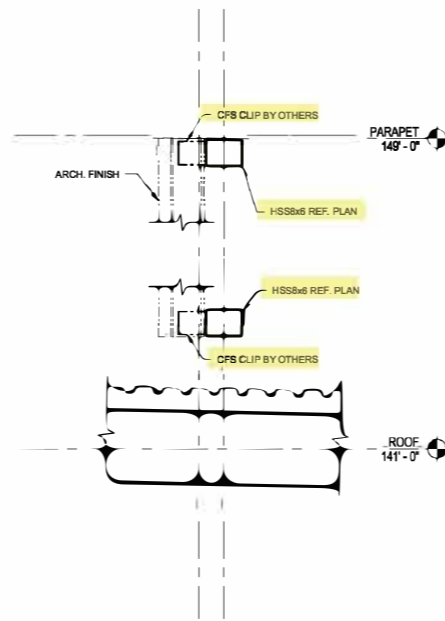
S401



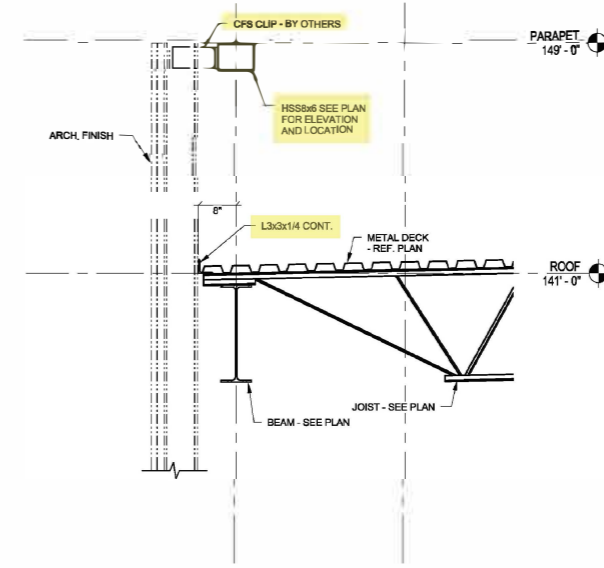
01 SECTION
SCALE: 3/4" = 1'-0"



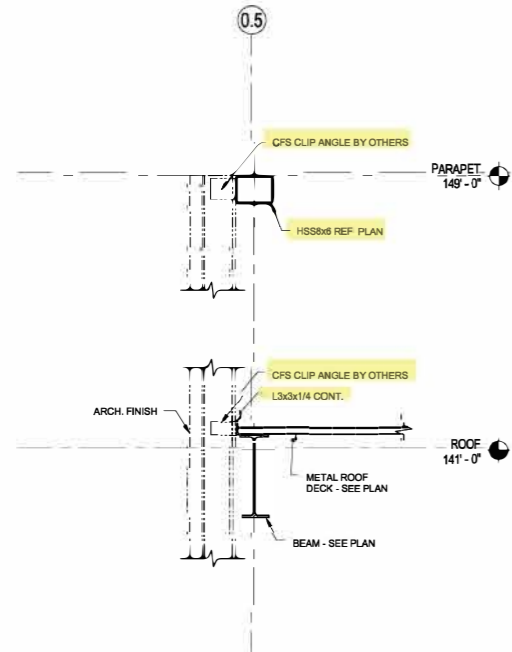
02 SECTION
SCALE: 3/4" = 1'-0"



03 SECTION
SCALE: 3/4" = 1'-0"



04 SECTION
SCALE: 3/4" = 1'-0"



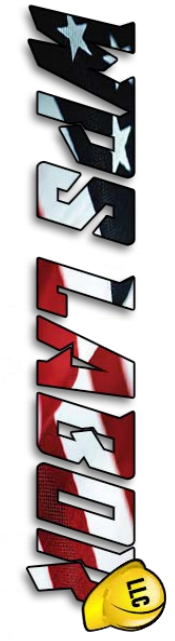
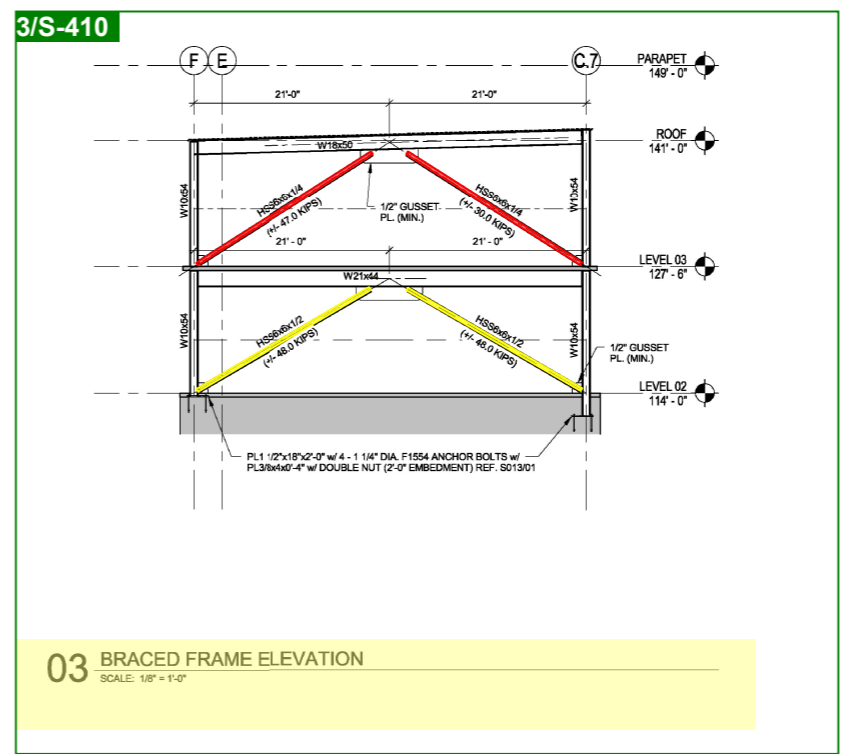
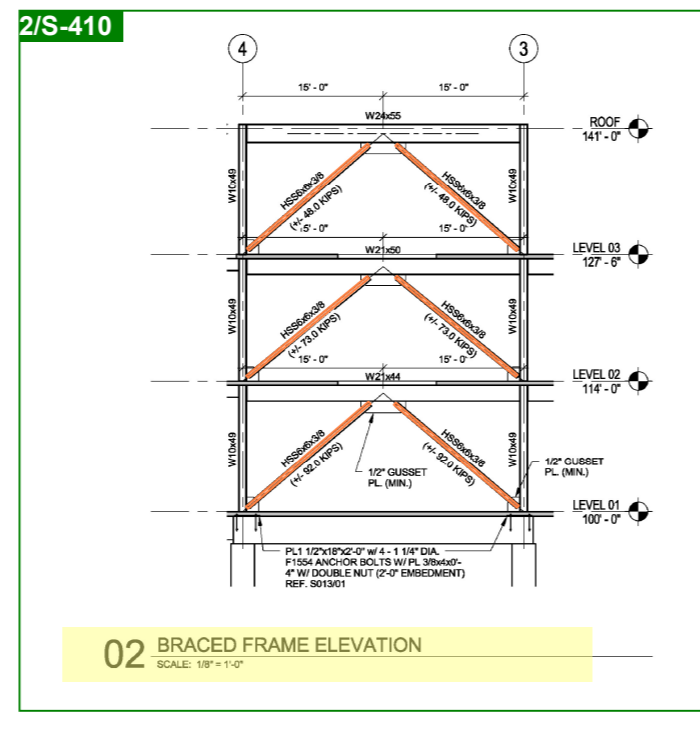
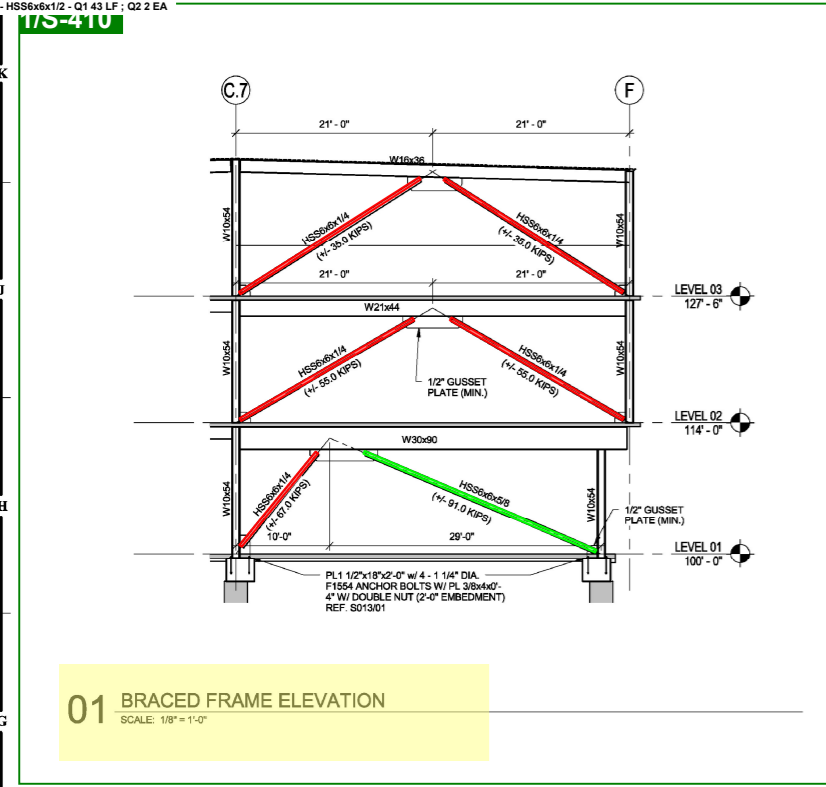
05 SECTION
SCALE: 3/4" = 1'-0"



SAMPLE PROJECT

S402

Bracing - HSS6x6x1/4 - Q1 145 LF ; Q2 7 EA
 Bracing - HSS6x6x5/8 - Q1 27 LF ; Q2 1 EA
 Bracing - HSS6x6x3/8 - Q1 102 LF ; Q2 6 EA
 Bracing - HSS6x6x1/2 - Q1 43 LF ; Q2 2 EA



SAMPLE PROJECT

S410